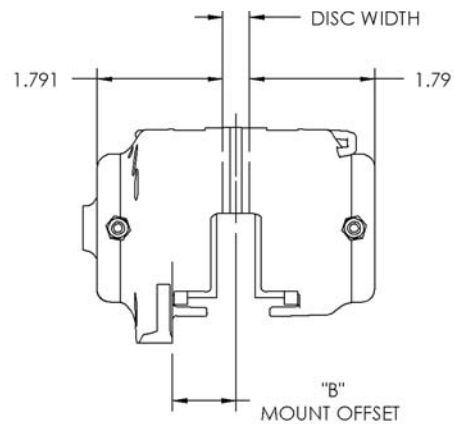
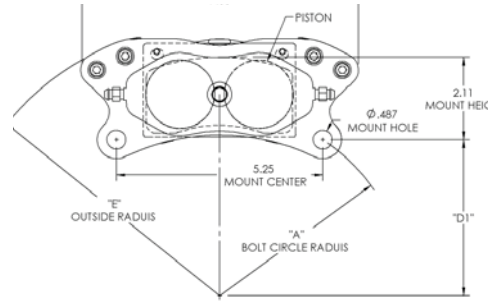


COMPETITION SERIES CALIPERS

CALIPER MOUNTING SPECS:



Disc Width	"B" Mount Offset
.38	.76
.81	.98
1.00	1.08

Disc Diameter	"A" Bolt Circle Radius	"E" Outside Radius
10.00	3.96	6.02
10.50	4.15	6.23
10.75	4.25	6.34
11.00	4.35	6.44
11.44	4.53	6.63
11.75	4.66	6.76
12.19	4.84	6.97

SSBC
PERFORMANCE BRAKE SYSTEMS



From The Streets to the Tracks SSBC Joins the IHRA Contingency Program....
SSBC is excited about becoming the "stopping force" behind the IHRA Contingency program. We stopped you on the street, it was only natural for us to stop you on the track. It is simple. Buy our comp brakes, put our decal on your car and win!
Visit IHRA.com for more information.

SSBC
PERFORMANCE BRAKE SYSTEMS

11470 Main St.
Clarence, NY 14031

800.448.7722

716.759.8666, office
716.759.8688, fax

SSBRAKES.COM



SSBC
COMPETITION
BRAKE SYSTEMS



.... FROM THE STREET
TO THE TRACK....

Introducing
**SSBC's light weight
Braking Systems**



Award winning Comp Caliper
**"Best new product for Street
Rods ... HRIA show 2009**

Ride with the BEST!

COMPETITION SERIES CALIPERS

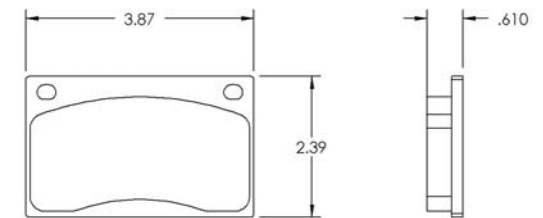
PAD SPECS:

FMSI#: D43
SSBC#: 10129 ("BIG BITE" STREET
PAD)
Dimensions: 3.87" wide
2.39" tall
0.610" thick

ALSO AVAIL. IN OTHER BRANDS thru
SSBC

Hawk: HPS
HP Plus
Performance Ceramic

All dimensions are in inches.



SSBC
PERFORMANCE BRAKE SYSTEMS

COMPETITION SERIES CALIPER

is the new standard in braking performance. Advanced engineering has allowed us to produce a caliper with **increased braking power** in a sleek, lightweight design.

25% INCREASE
in pad contact area
over competition

20% INCREASE
in pad thickness
over competition



Contingency Central

See back for details!

Replacement Calipers for aftermarket 5.25" mount Calipers

Quality calipers ...
MADE IN USA



Available with 1.375" and 1.75" pistons with hi-temperature square-cut seals (not O-Rings) for increased braking performance



- Available in Street or Race
- Direct replacement
- 20% increase in pad thickness
- 25% increased in pad area
- Stainless steel pistons
- Dual pin pad design
- Stainless steel pad clips for quiet ride
- Brake pads available at any parts store

Quick Change Calipers Disc Brake Kits

**A,F, & X BODY GM
FORD
MOPAR**



- Ultra light 4 (45 mm) s.s. piston billet aluminum caliper
- Calipers save 14lbs of unsprung weight from vehicle
- Direct fit to factory spindles, rotors & hoses
- Will work with factory master cylinder/distribution
- Improved wheel clearance for after market wheels
- Includes mounting bracket to work with factory spindles
- Off the shelf pads are available

Rear Disc Brake Kits



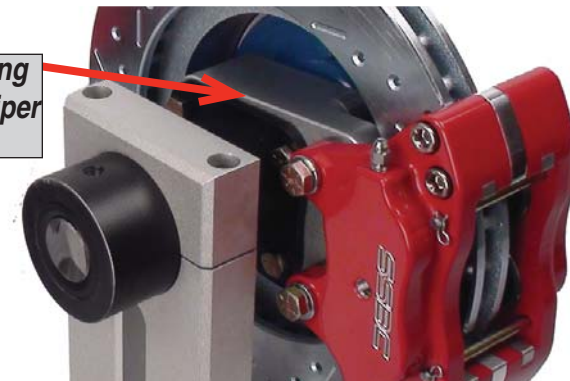
Quality kits ...
MADE IN USA

- Ultra light 4 piston billet aluminum caliper
- Direct bolt on to popular GM Ford Mopar rear ends
- Parking brake provision (optional)
- Off the shelf pads available
- Improved wheel clearance for after market wheels
- 35MM stainless steel pistons

"C" clip eliminator kit with rear disc brakes kit

All-in-one bearing housing and caliper mount

NEW
no leak design



- Ultra light 4 piston billet aluminum caliper
- Direct bolt on to popular GM Ford rear ends
- Parking brake provision (optional)
- Off the shelf pads available
- Improved wheel clearance for after market wheels
- 35MM stainless steel pistons